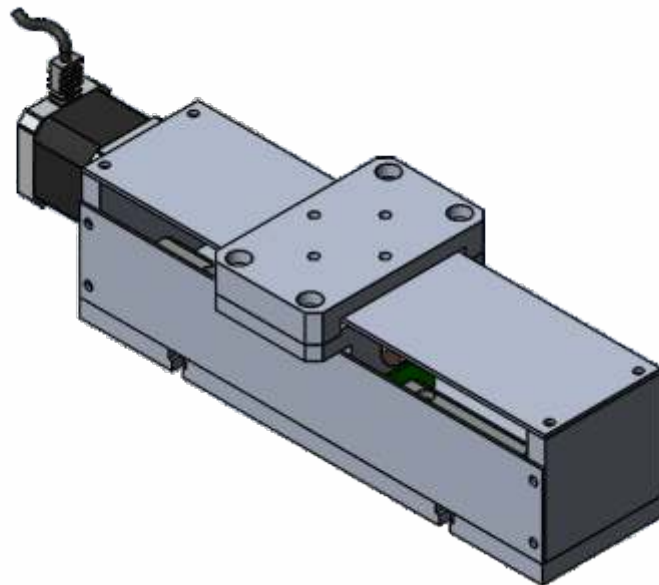
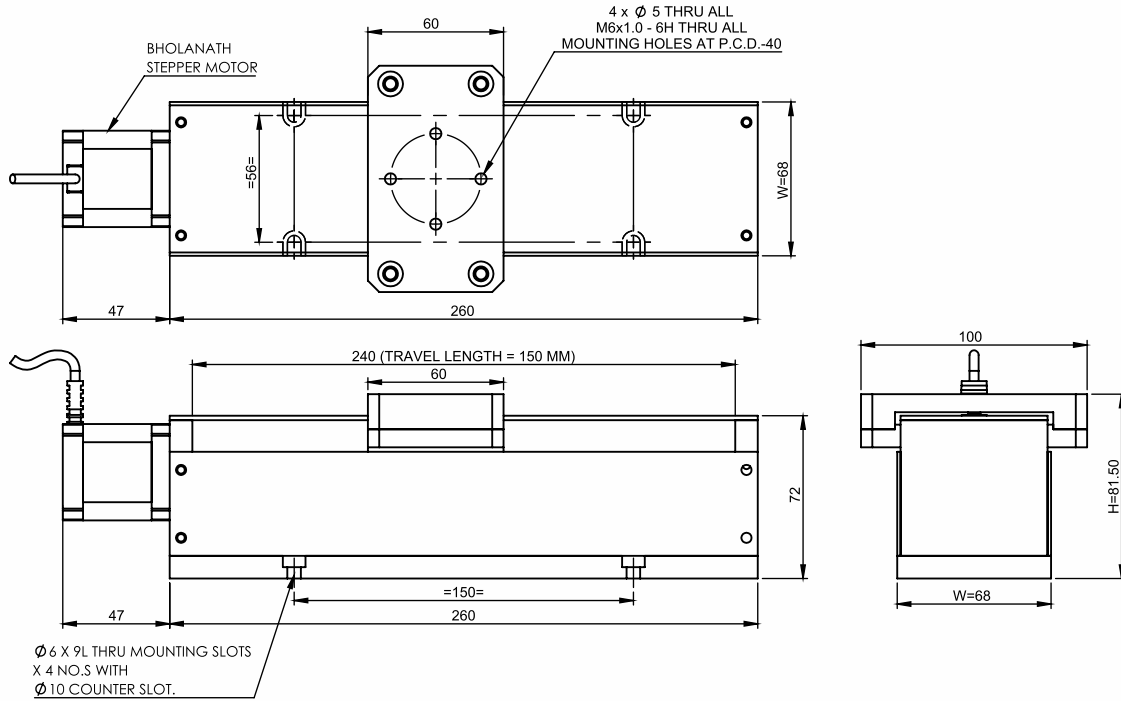
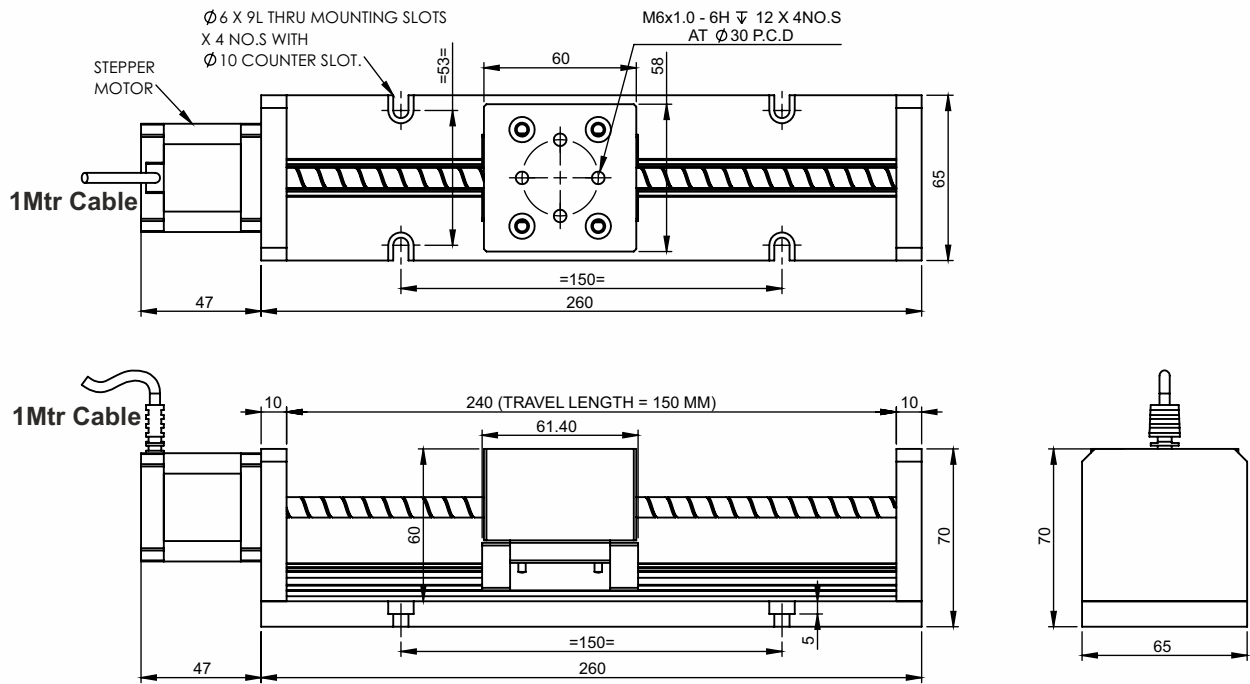


**HIGH PRECISION X AXIS POSITIONING TABLE - LINEAR BALL SCREW SLIDES**



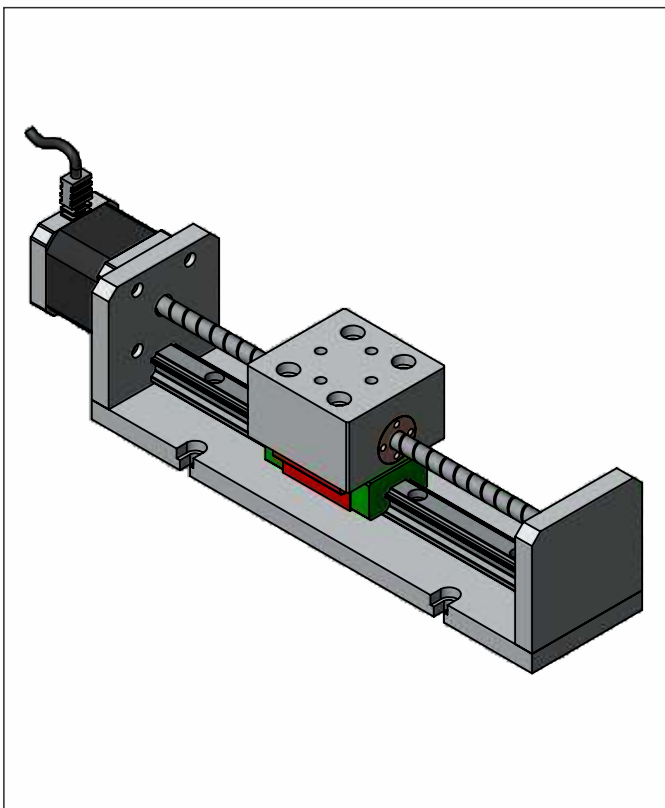
**X SLIDE WITH SHEET METAL COVER**

# HIGH PRECISION X AXIS POSITIONING TABLE- *LINEAR LEAD SCREW SLIDE*



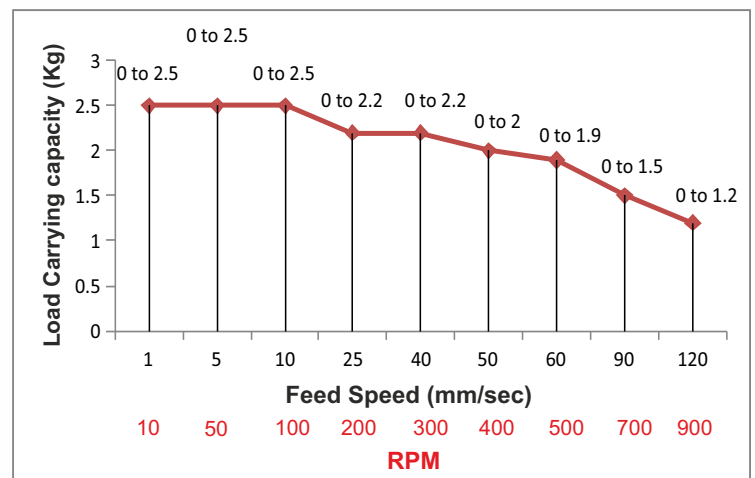
Slide without bellow cover

## TECHNICAL DATA



SPECIFICATION Model No		BHLS-XSLIDE-150(M)
1	Maximum load carrying capacity(kg)	2.5
2	Permissible Feed Speed	0 to 120 mm/sec
3	Positioning Accuracy (mm)	≤ 0.05
4	Degree Of protection	IP 40
5	Total Weight Of Slide (KG)	2.5

**Note:-** The Load Calculation is Based On Horizontal Movement. For Vertical Movement Kindly Consider Safety Factor Of 0.6 And Motor With Brake.



## Bholanath Precision Engineering Pvt.Ltd.

1002 Opposite Old Passport Office, Wagle Estate, MIDC, Thane West - 400604.India.  
**Tel Nos** - 91 - 22 - 69181700 (100 Lines) / 9821671733  
**Mobile No** : 9920903825/9821671733/9930514603/9819515543/9323166582.  
**Email Id** - support@bholanath.in/ nisha.k@bholanath.in  
**Website** - www.bholanath.in